



**STRONG PARTNERS.
TOUGH TRUCKS.™**

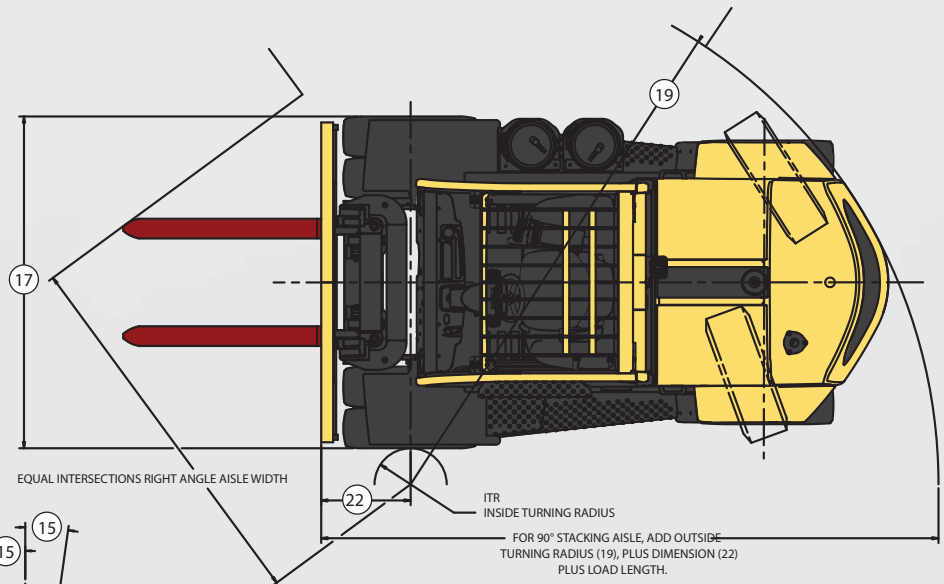
H135-155FT SERIES TECHNICAL GUIDE

WWW.HYSTER.COM

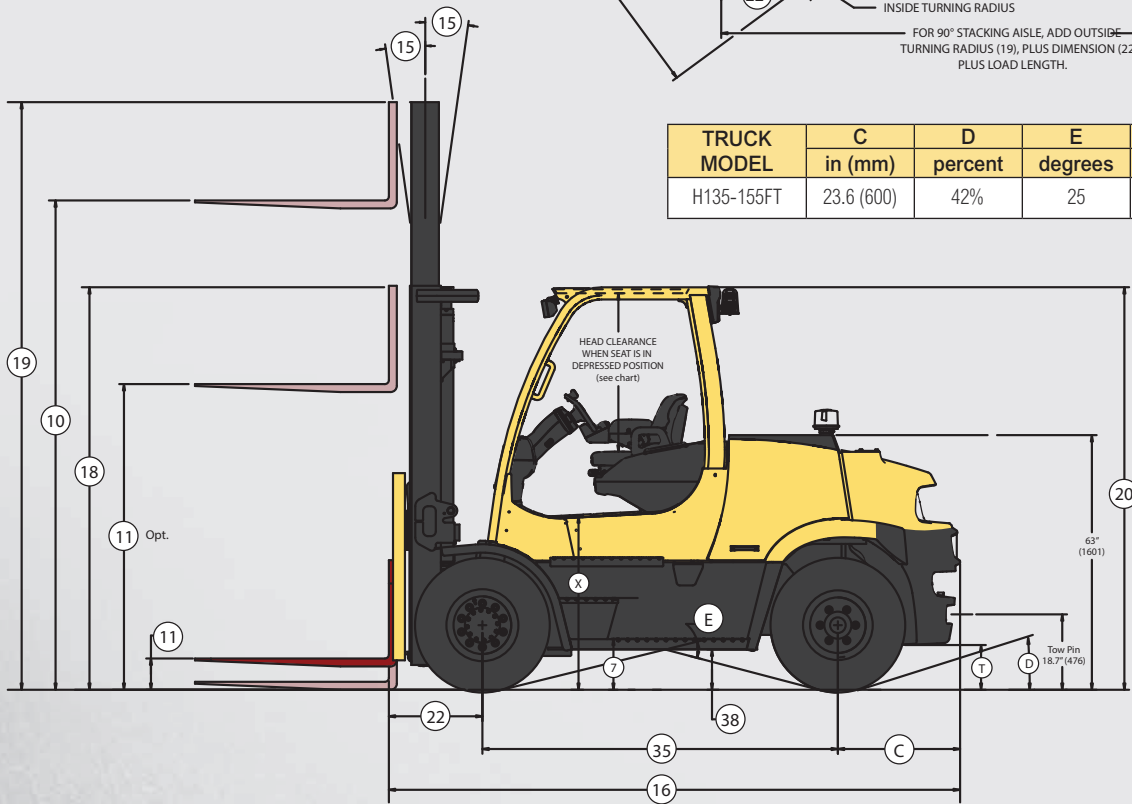
> H135-155FT DIMENSIONS

Seat type	Standard OHG*	Optional cab*
Non-suspension	38.2 (971.2)	38.2 (971.2)
Full-suspension	38.0 (965.2)	38.0 (965.2)
Swivel full-suspension	38.0 (965.2)	38.0 (965.2)

Seat in depressed position*



TRUCK MODEL	C	D	E	T	X
	in (mm)	percent	degrees	in (mm)	in (mm)
H135-155FT	23.6 (600)	42%	25	6.9 (177)	33.2 (844)



STANDARD LIFT SPECIFICATIONS					
Maximum fork height (TOF) †	Overall lowered height	Overall extended height w/ load backrest	Overall extended height w/o load backrest	Free-lift (TOF) w/load backrest	Free-lift (TOF) w/o load backrest
in (mm)	in (mm)	in (mm)	in (mm)	in (mm)	in (mm)
2-STAGE LIMITED FREE-LIFT (LFL) VISTA™ MAST					
118 (3000)	100 (2540)	172 (4354)	166 (4195)	6 (160)	6 (160)
133 (3400)	108 (2740)	188 (4754)	181 (4595)	6 (160)	6 (160)
173 (4400)	128 (3240)	227 (5754)	221 (5595)	6 (160)	6 (160)
212 (5400)	148 (3740)	266 (6754)	260 (6595)	6 (160)	6 (160)
3-STAGE FULL FREE-LIFT (FFL) VISTA™ MAST					
185 (4700)	102 (2570)	239 (6054)	230 (5830)	47 (1216)	56 (1440)
220 (5600)	113 (2870)	274 (6954)	265 (6730)	59 (1516)	68 (1740)
244 (6200)	123 (3120)	298 (7554)	289 (7330)	69 (1766)	78 (1990)

† Lift heights over 212" (5400 mm) maximum fork height are considered highlifts and require reduced capacity and restricted back tilt.

Circled dimensions correspond to the line numbers on the tabulated chart inside the technical guide. Dimensions are in inches (millimeters).

H135-155FT SPECIFICATIONS

		Hyster H135FT			Hyster H155FT					
GENERAL	1	Manufacturer	Hyster			Hyster				
	2	Model	H135FT			H155FT				
	3	Engine	Kubota 3.8L LPG	Non-certified Kubota 3.6L	Non-certified Kubota 3.8L high output	Kubota 3.8L LPG	Non-certified Kubota 3.6L	Non-certified Kubota 3.8L high output		
	4	Rated capacity	lb (kg)	13,500 (6,000)			15,500 (7,000)			
	5	Load center, distance	in (mm)	24 (610)			24 (610)			
	6	Engine / power type - gasoline, LPG, diesel		LPG		Diesel		LPG	Diesel	
	7	Operator type		Seated rider			Seated rider			
	8	Step height	in (mm)	12.2 (311)			12.2 (311)			
	9	Tire type - cushion, solid, pneumatic		Pneumatic			Pneumatic			
DIMENSIONS	9a	Wheels, number - front / rear (X = driven)	4X/2			4X/2				
	9b	Track width, front / rear	in (mm)	72.7 (1846) / 60.5 (1535)			72.7 (1846) / 60.5 (1535)			
	10	Lift height, w/LBR (TOF) (rounded down)	in (mm)	212 (5400)			212 (5400)			
	11a	Std free lift height (TOF) (rounded down)	in (mm)	6 (160)			6 (160)			
	11b	Optional full free lift w/ LBR (TOF) (rounded down)	in (mm)	95 (2416)			95 (2416)			
	11c	Optional full free lift w/o LBR (TOF) (rounded down)	in (mm)	103 (2640)			103 (2640)			
	12	Standard carriage width	in (mm)	78 (1981)			78 (1981)			
	13	Standard forks, thickness x width x length	in (mm)	2.4 x 5.9 x 48 (60 x 150 x 1219)			2.4 x 5.9 x 48 (60 x 150 x 1219)			
	14a	Standard fork spread, min inside dimensions	in (mm)	6.3 (160)			6.3 (160)			
	14b	Standard fork spread, max outside dimensions	in (mm)	73.9 (1876)			73.9 (1876)			
	15	Mast tilt, forward / backward	degrees	5 / 10			5 / 10			
	16	Overall length (to face of forks)	in (mm)	141.9 (3604)			144.4 (3669)			
	17	Overall width	in (mm)	82.0 (2082)			82.0 (2082)			
	18	Height, standard mast - lowered	in (mm)	148 (3740)			148 (3740)			
	19a	Height, std mast - extended w/o LBR (rounded up)	in (mm)	260 (6595)			260 (6595)			
	19b	Height, std mast - extended w/ LBR (rounded up)	in (mm)	266 (6754)			266 (6754)			
	20a	Height, std overhead guard (high) (rounded up)	in (mm)	100 (2531)			100 (2531)			
	20b	Height, std overhead guard (cab) (rounded up)	in (mm)	101 (2549)			101 (2549)			
	21a	Turning radius, minimum outside (OTR)	in (mm)	130.7 (3320)			133.4 (3388)			
	21b	Turning radius, minimum inside (ITR)	in (mm)	9.1 (230)			9.1 (230)			
	22	Length, center of wheels to face of forks	in (mm)	23.7 (601)			23.7 (601)			
	23a	Aisle width, right angle stack (pallet w=42in, L=48in)	in (mm)	202.4 (5140)			205.0 (5207)			
	23a	Aisle width, right angle stack (add length of load)	in (mm)	154.4 (3921)			157.0 (3988)			
	24	Equal aisle, 90-degree intersecting aisle	in (mm)	111.6 (2835)			111.8 (2865)			
PERFORMANCE	25a	Travel spd fwd, RL/NL w/ 2-spd (fwd) transmission	mph (km/h)	13.7/14.4 (22.2/23.2)	14.7/15.6 (23.7/25.2)	14.1/14.8 (22.7/23.9)	13.7/14.4 (22.1/23.2)	14.6/15.5 (23.5/25.1)	14.0/14.7 (22.6/23.8)	
	25b	Travel spd rev, RL/NL w/ 2-spd (rev) transmission	mph (km/h)	15.3/16.1 (24.7/26.0)	16.5/17.7 (26.7/28.5)	15.3/16.1 (24.7/26.0)	15.2/16.1 (24.5/26.0)	16.4/17.6 (26.5/28.4)	15.2/16.1 (24.5/26.0)	
	25c	Travel spd rev, RL/NL w/ either transmission	mph (km/h)	13.7/14.4 (22.2/23.2)	14.7/15.6 (23.7/25.2)	14.1/14.8 (22.7/23.9)	13.6/14.2 (21.9/22.9)	14.6/15.5 (23.5/25.1)	14.0/14.7 (22.6/23.8)	
	26a	Lift speed, standard 2-stage LFL RL/NL	ft / min (m/s)	102/102 (0.52/0.52)	88/90 (0.45/0.46)	100/102 (0.51/0.52)	90/102 (0.46/0.52)	78/90 (0.40/0.46)	94/102 (0.48/0.52)	
	26b	Lift speed, optional 3-stage FFL RL/NL	ft / min (m/s)	102/102 (0.52/0.52)	88/90 (0.45/0.46)	96/98 (0.49/0.50)	90/102 (0.46/0.52)	76/90 (0.39/0.46)	90/98 (0.46/0.50)	
	27a	Lowering speed, standard 2-stage LFL RL/NL	ft / min (m/s)	114/104 (0.58/0.53)			114/104 (0.58/0.53)			
	27b	Lowering speed, optional 3-stage FFL RL/NL	ft / min (m/s)	104/81 (0.53/0.41)			104/81 (0.53/0.41)			
	28a	2-spd Xmsn drawbar pull @ maximum RL/NL	lb (kg)	9287/5686 (4212/2579)	11474/5686 (5204/2579)	10500/5686 (4762/2579)	9232/5507 (4187/2498)	11420/5507 (5180/2498)	10500/5507 (4762/2498)	
	28b	2-spd Xmsn drawbar pull @ 1 mph RL/NL	lb (kg)	7610/5686 (3451/2579)	8867/5686 (4022/2579)	10500/5686 (4762/2579)	7555/5507 (3427/2498)	8812/5507 (3997/2498)	10500/5507 (4762/2498)	
	28c	2-spd Xmsn drawbar pull @ 3 mph RL/NL	lb (kg)	4886/5686 (2216/2579)	5363/5686 (2432/2579)	7261/5686 (3293/2579)	4831/5507 (2191/2498)	5308/5507 (2407/2498)	7206/5507 (3269/2498)	
	29a	2-spd Xmsn minimum gradeability RL/NL	%	29/30	37/30	33/30	26/27	33/27	30/27	
	29b	2-spd Xmsn gradeability @ 1 mph RL/NL	%	24/30	28/30	33/30	21/27	25/27	30/27	
	29c	2-spd Xmsn gradeability @ 3 mph RL/NL	%	15/30	16/30	22/30	13/27	15/27	20/27	
	28a	3-spd Xmsn drawbar pull @ maximum RL/NL	lb (kg)	10000/5686 (4535/2579)	10499/5686 (4762/2579)	11500/5686 (5216/2579)	10000/5507 (4535/2498)	10499/5507 (4762/2498)	11500/5507 (5216/2498)	
	28b	3-spd Xmsn drawbar pull @ 1 mph RL/NL	lb (kg)	10000/5686 (4535/2579)	10499/5686 (4762/2579)	11500/5686 (5216/2579)	10000/5507 (4535/2498)	10499/5507 (4762/2498)	11500/5507 (5216/2498)	
	28c	3-spd Xmsn drawbar pull @ 3 mph RL/NL	lb (kg)	6303/5686 (2859/2579)	6106/5686 (2769/2579)	8605/5686 (3903/2579)	6248/5507 (2834/2498)	6051/5507 (2744/2498)	8550/5507 (3878/2498)	
	29a	3-spd Xmsn minimum gradeability RL/NL	%	32/30	33/30	37/30	29/27	30/27	33/27	
	29b	3-spd Xmsn gradeability @ 1 mph RL/NL	%	32/30	33/30	37/30	29/27	30/27	33/27	
	29c	3-spd Xmsn gradeability @ 3 mph RL/NL	%	19/30	19/30	27/30	17/27	17/27	24/27	
	WT.	30a	Weight, standard truck NL	lb (kg)	19877 (9016)			21013 (9531)		
		30b	Weight, standard truck RL	lb (kg)	33407 (15153)			36547 (16577)		
		31a	Axle loading, static front / rear NL	lb (kg)	9566/10314 (4339/4678)			9269/11745 (4204/5327)		
		31b	Axle loading, static front / rear RL	lb (kg)	30420/2988 (13798/1355)			33213/3334 (15065/1512)		
		32	Tire size, front / rear		8.25 X 15 14PR / 8.25 X 15 14PR			8.25 X 15 14PR / 8.25 X 15 14PR		
34		Wheelbase	in (mm)	88.0 (2235)			88.0 (2235)			
35		Ground clearance under mast, RL	in (mm)	5.7 (146)			5.7 (146)			
36		Ground clearance, center of wheelbase	in (mm)	10.0 (253)			10.0 (253)			
TIRES & WHEELS	37	Service brake - method of control / operation		Foot / hydraulic			Foot / hydraulic			
	38	Park brake - method of control / operation		Hand / mechanical			Hand / mechanical			
	39	Battery type		Maintenance free			Maintenance free			
	40	Volts / cold cranking amps	v / cca	12V/900	12V/1800 (2x 900)		12V/900	12V/1800 (2x 900)		
	41	Engine manufacturer		Kubota 3.8L LPG	Non-certified Kubota 3.6L diesel	Non-certified Kubota 3.8L turbo diesel	Kubota 3.8L LPG	Non-certified Kubota 3.6L diesel	Non-certified Kubota 3.8L turbo diesel	
	42	Engine power @ governed speed	hp (kw)	91 (68) @ 2400 RPM	83.5 (62.3) @ 2400 RPM	109 (81.5) @ 2400 RPM	91 (68) @ 2400 RPM	83.5 (62.3) @ 2400 RPM	109 (81.5) @ 2400 RPM	
	43	Torque @ rated RPM	ft.lbs. (Nm)	221 (300) @1000 RPM	218 (296) @ 1400 RPM	275 (373) @ 1600 RPM	221 (300) @1000 RPM	218 (296) @ 1400 RPM	275 (373) @ 1600 RPM	
	44	Number of cylinders / displacement	No / cc (ci)	4/3769 (230)	4/3620 (221)	4/3769 (230)	4/3769 (230)	4/3620 (221)	4/3769 (230)	
POWERTRAIN	45	Transmission type, standard		Powershift			Powershift			
	46a	Standard speeds, forward / reverse		2/2			2/2			
	46b	Optional speeds, forward / reverse		3/2			3/2			
	47	Hydraulic tank capacity (drain and refill)	gal (liter)	18.9 (71.7)			18.9 (71.7)			
	48	Fuel tank capacity (diesel powered units only)	gal (liter)	19.7 (74.8)			19.7 (74.8)			
	49	Auxiliary hydraulic pressure relief for attachments	PSI (Mpa)	2250 (155)			2250 (155)			

CERTIFICATION: These Hyster lift trucks meet design specifications of Part II ANSI B56.1-1969, as required by OSHA Section 1910.178(a)(2) and also comply with Part III ANSI B56.1-revision in effect at time of manufacture. Certification of compliance with the applicable ANSI standards appears on the lift truck. † **NOTE:** Performance specifications / ratings are for truck equipped as described under Standard Equipment in this Technical Guide. Performance specifications are affected by the condition of the vehicle and how it is equipped, as well as by the nature and condition of the operating area. Specifications are subject to change and the proposed application should be discussed with your authorized Hyster Company Dealer. †† **Limited by traction.** For further information on this dimension, please contact your local Hyster dealer.

STANDARD EQUIPMENT

- Kubota 3.8L LPG, EPA/CARB emissions compliant engine
- Electronic powershift transmission
 - Hydraulic inching
 - Electronic shift control
 - 2 speeds forward, 2 speeds reverse
- Premium oil-cooled wet disc brakes
- MONOTROL® pedal
- 2-Stage limited free-lift (LFL) VISTA™ mast with maximum fork height of 133" (2400 mm)
- 78.0" (1981 mm) wide hook-type carriage with 48.0" (1219) tall load backrest extension
- 48.0" (1219 mm) long forks
- 6 degrees forward and 10 degrees backward mast tilt
- 3-function hydraulic control valve
- Integrated dashboard display includes:
 - LCD display:
 - Fuel level (diesel only)
 - Hour meter
 - Coolant temperature
 - Clock
 - Messages
- Service indicator lights:
 - Alternator
 - Transmission oil temperature
 - Engine oil pressure
 - Brake fluid level
 - Fasten seat belt
 - Low fuel level
 - Engine malfunction
 - System malfunction
 - Park brake
 - Coolant temperature
 - Forward, reverse and neutral direction indicators
- Hydrostatic power steering
- Non-suspension vinyl seat
- No-cinch seat belt
- Electronic horn
- Adjustable steer column
- Rubber floor mat
- High air intake
- Integral tie downs
- Operator restraint system
- Combi-cooler radiator
- Single pedal inch brake
- Cowl-mounted hydraulic control levers
- Swing out LPG tank bracket
- Pressure sensing low LPG fuel sensor
- 100" (2531 mm) tall overhead guard
- 12 months / 2,000 hours manufacturer's warranty
- 36 months / 6,000 hours manufacturer's powertrain warranty
- Operator's manual
- UL Classification LPG


OPTIONAL EQUIPMENT

- Non-certified Kubota 3.6L diesel engine
- Non-certified Kubota 3.8L high output diesel engine
- DuraMatch™ transmission
 - Electronic inching
 - Electronic shift control
 - Auto deceleration system
 - Controlled power reversal
 - Controlled roll back on ramps
 - 3 speeds forward, 2 speeds reverse
- LED lights (brake/tail/back-up)
- Powertrain protection system
- Premium monitoring
- High air intake with precleaner
- Accumulator
- Keyless start (with auxiliary key switch)
- Dual LPG tank bracket
- Return to set tilt
- TouchPoint hydraulic mini-levers with fully adjustable armrest
- Rear drive handle with horn button
- Full suspension seat - vinyl or cloth
- Swivel full-suspension seat - vinyl or cloth
- High-visibility non-cinch seat belt with or without interlock
- Impact monitor with immediate or delayed shutdown
- Load weight display
- Operator pre-shift checklist
- Dual-inch brake pedals
- Operator password protection
- Audible reverse activated 82-102 dB(A) self-adjusting alarm
- Visible amber LED strobe light - continuously activated, overhead guard mounted
- Parts publications - printed or CD, serial number specific
- UL Classification D, LPS, DS
- Various light packages available with halogen or high intensity LED:
 - Two front and one rear work lights
 - Two front, one rear work light and two brake/tail backup lights
- Cab includes the following:
 - Front and rear wiper
 - Full light package
 - Integral heater
 - Defogger
 - Removable doors
 - Operator dome light
 - Fan
 - Optional air conditioning
- Side view mirrors



Hyster Company
P.O. Box 7006
Greenville, North Carolina
27835-7006
Part No. H135-155FT-TG-LAM
4/2021 Litho in U.S.A.

Visit us online at www.hyster.com or call us at **1-800-HYSTER-1**.

Hyster, , and STRONG PARTNERS. TOUGH TRUCKS. and MONOTROL are registered trademarks in the United States and certain other jurisdictions. Hyster products are subject to change without notice.

Trucks may be shown with optional equipment. © 2021 Hyster Company. All rights reserved.