



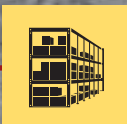
**STRONG PARTNERS.
TOUGH TRUCKS.™**



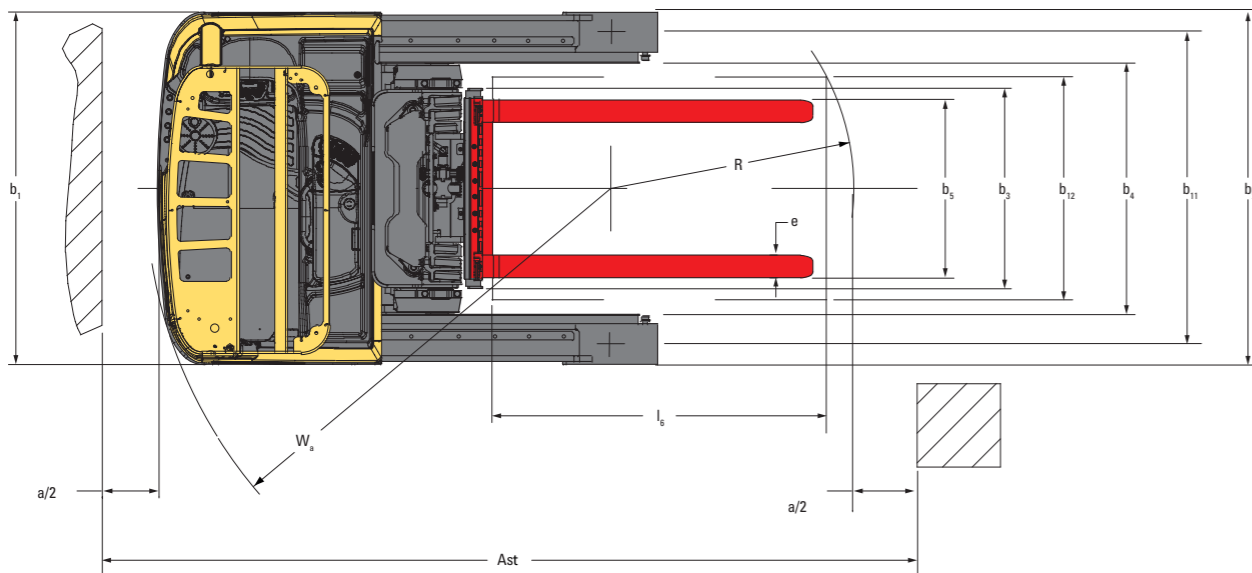
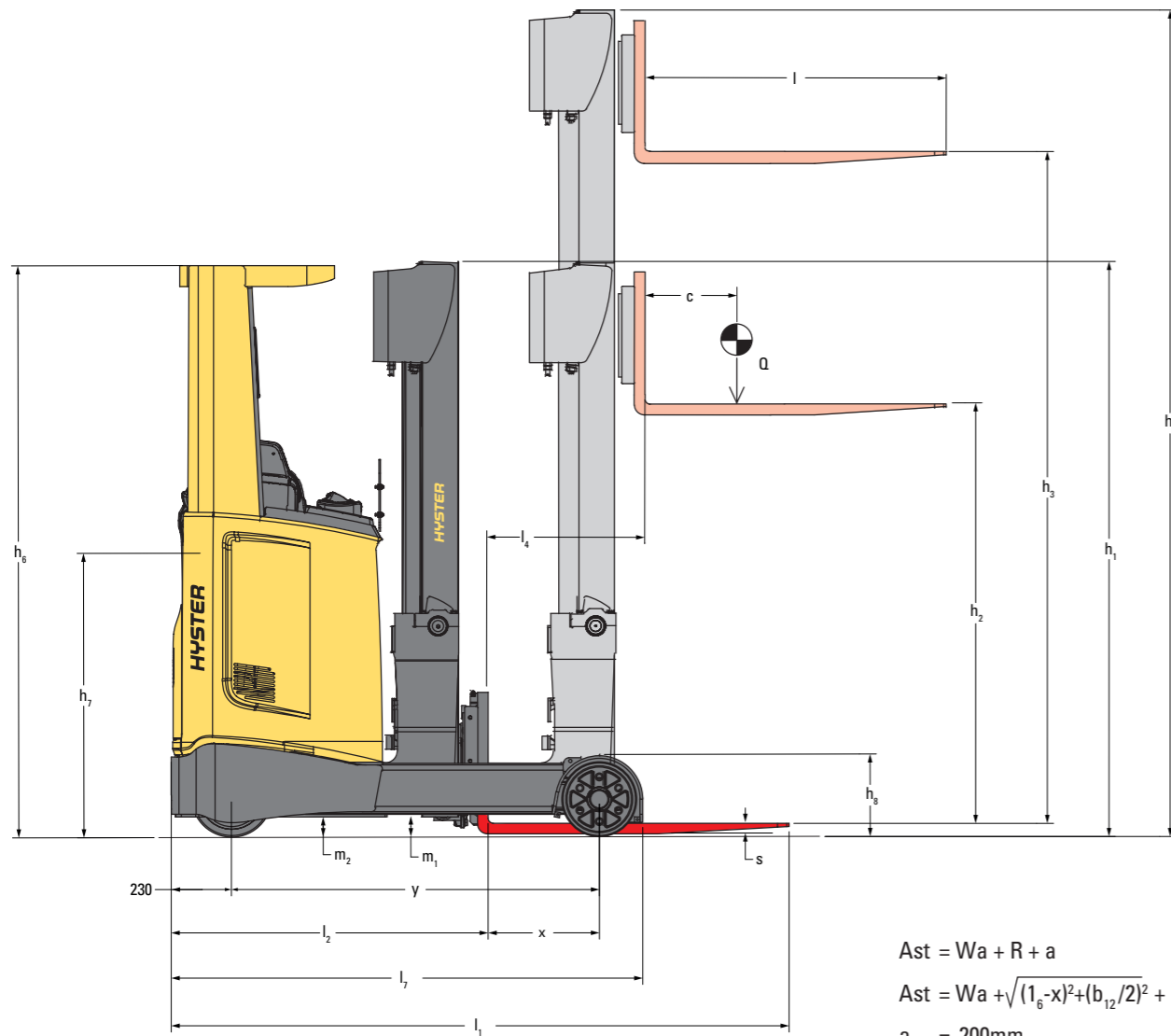
REACH TRUCK

R1.0E, R1.2E, R1.4E

1 000 – 1 400 KG



TRUCK DIMENSIONS

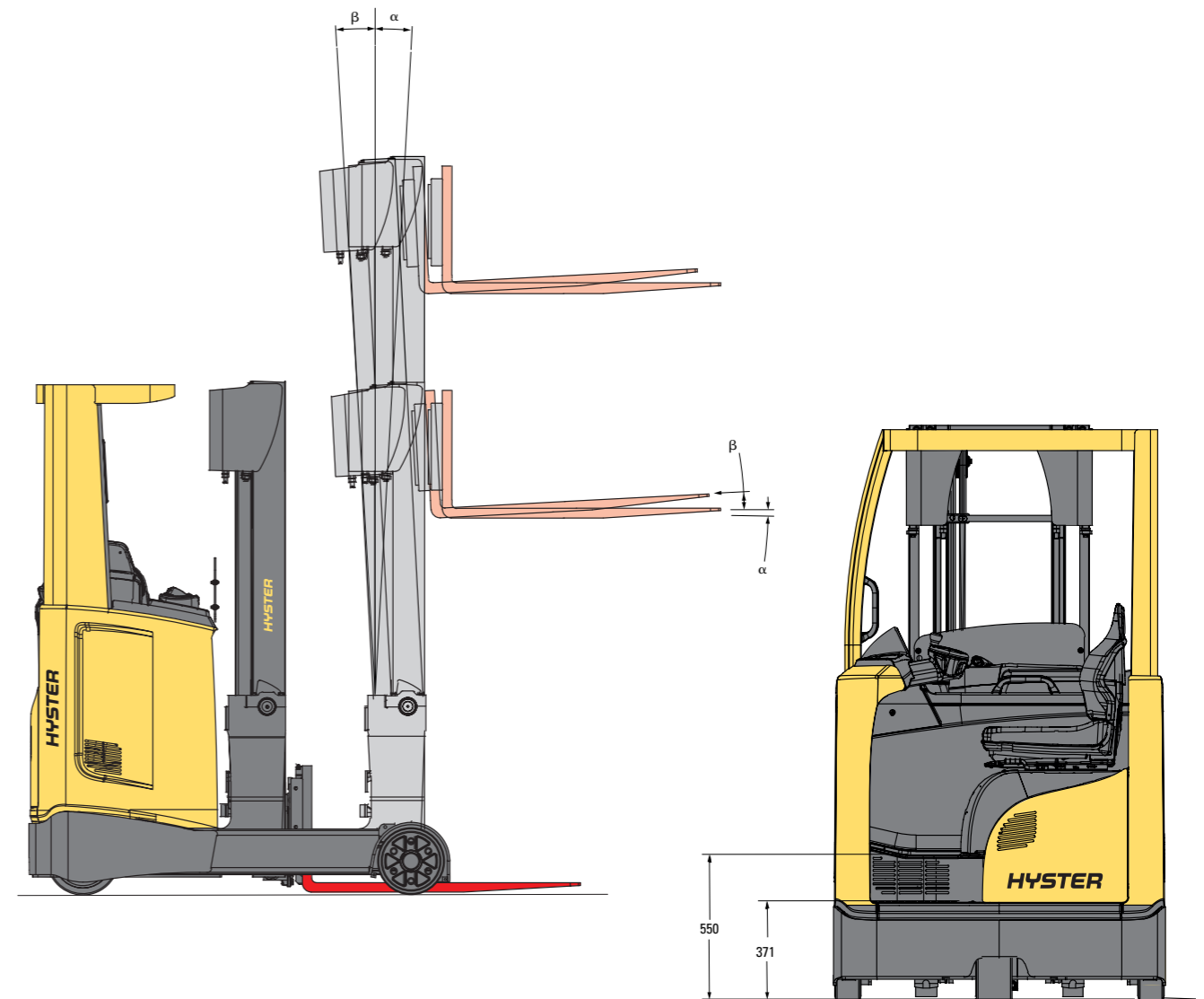


MAST TABLES

3 STAGE FFL

	Tilt α/β °	Lift h_3 (mm)	Free lift h_2 (mm)	Height, mast lowered h_1 (mm)	Height, mast extended h_4 (1) (mm)	Weight (2) (3) (kg)
R1.0E R1.2E R1.4E	1°/3°	5000	1706	2191	5560	629
	1°/3°	5250	1792	2277	5810	645
	1°/3°	5500	1878	2363	6060	662
	1°/3°	5750	1964	2449	6310	717
	1°/3°	6000	2050	2535	6560	736
	1°/3°	6250	2136	2621	6810	754
	0,5°/1°	6500	2222	2707	7060	772
	0,5°/1°	6750	2308	2793	7310	797
	0,5°/1°	7000	2394	2879	7560	815
	0,5°/1°	7250	2480	2965	7810	834
	0,5°/1°	7500	2566	3051	8060	852

TRUCK DIMENSIONS



BATTERIES TABLES

R1.0E	1.1	Manufacturer (abbreviation)
	1.2	Manufacturer's type designation
	1.8	Load distance, centre of drive axle to forks x (mm)
	1.9	Wheelbase y (mm)
	2.1	Service weight kg
	2.3	Axle loading, unladen front/rear ⁽⁶⁾ kg
2.4	Axle loading fork advanced, laden front/rear	
2.5	Axle loading fork retracted, laden front/rear kg	
4.19	Overall length l ₁ (mm)	
4.20	Length to face of forks l ₂ (mm)	
4.28	Reach distance	
4.34.1	Aisle width for pallets 1000mm x 1200mm crossways A _{st} (mm)	
4.34.2	Aisle width for pallets 800mm x 1200mm lengthwise A _{sl} (mm)	
4.35	Turning radius W _{tr} (mm)	
6.3	Battery according to DIN 43531/35/36 A,B,C, no	
6.4	Battery voltage/nominal capacity K5 (V)/(Ah)	
6.5	Battery weight ⁽⁴⁾ kg	

HYSTER		HYSTER		HYSTER		HYSTER		HYSTER		HYSTER	
R1.0E		R1.0E		R1.0E		R1.0E		R1.0E		R1.4E	
361		361		271		271		181		181	
1300		1300		1300		1300		1300		1300	
2389		2389		2602		2602		2845		2845	
1522	867	1522	867	1571	1031	1571	1031	1622	1223	1622	1223
577	2812	577	2812	693	2909	693	2909	810	3035	810	3035
1327	2062	1327	2062	1306	2296	1306	2296	1288	2557	1288	2557
2320		2320		2410		2410		2500		2500	
1170		1170		1260		1260		1350		1350	
521		521		431		431		341		341	
2632		2632		2700		2700		2770		2770	
2685		2685		2766		2766		2850		2850	
1555		1555		1555		1555		1555		1555	
B		B		B		B		B		B	
48V	280Ah	48V	310Ah	48V	420Ah	48V	465Ah	48V	560Ah	48V	620Ah
541		543		746		750		937		945	

R1.2E	1.1	Manufacturer (abbreviation)
	1.2	Manufacturer's type designation
	1.8	Load distance, centre of drive axle to forks x (mm)
	1.9	Wheelbase y (mm)
	2.1	Service weight kg
	2.3	Axle loading, unladen front/rear ⁽⁶⁾ kg
2.4	Axle loading fork advanced, laden front/rear	
2.5	Axle loading fork retracted, laden front/rear kg	
4.19	Overall length l ₁ (mm)	
4.20	Length to face of forks l ₂ (mm)	
4.28	Reach distance	
4.34.1	Aisle width for pallets 1000mm x 1200mm crossways A _{st} (mm)	
4.34.2	Aisle width for pallets 800mm x 1200mm lengthwise A _{sl} (mm)	
4.35	Turning radius W _{tr} (mm)	
6.3	Battery according to DIN 43531/35/36 A,B,C, no	
6.4	Battery voltage/nominal capacity K5 (V)/(Ah)	
6.5	Battery weight ⁽⁴⁾ kg	

HYSTER		HYSTER		HYSTER		HYSTER		HYSTER		HYSTER	
R1.2E		R1.2E		R1.2E		R1.2E		R1.2E		R1.2E	
361		361		271		271		181		181	
1300		1300		1300		1300		1300		1300	
2389		2389		2602		2602		2845		2845	
1522	867	1522	867	1571	1031	1571	1031	1622	1223	1622	1223
462	3127	462	3127	577	3225	577	3225	695	3350	695	3350
1288	2301	1288	2301	1254	2548	1254	2548	1222	2823	1222	2823
2320		2320		2410		2410		2500		2500	
1170		1170		1260		1260		1350		1350	
521		521		431		431		341		341	
2632		2632		2700		2700		2770		2770	
2685		2685		2766		2766		2850		2850	
1555		1555		1555		1555		1555		1555	
B		B		B		B		B		B	
48V	280Ah	48V	310Ah	48V	420Ah	48V	465Ah	48V	560Ah	48V	620Ah
541		543		746		750		937		945	

R1.4E	1.1	Manufacturer (abbreviation)
	1.2	Manufacturer's type designation
	1.8	Load distance, centre of drive axle to forks x (mm)
	1.9	Wheelbase y (mm)
	2.1	Service weight kg
	2.3	Axle loading, unladen front/rear ⁽⁶⁾ kg
2.4	Axle loading fork advanced, laden front/rear	
2.5	Axle loading fork retracted, laden front/rear kg	
4.19	Overall length l ₁ (mm)	
4.20	Length to face of forks l ₂ (mm)	
4.28	Reach distance	
4.34.1	Aisle width for pallets 1000mm x 1200mm crossways A _{st} (mm)	
4.34.2	Aisle width for pallets 800mm x 1200mm lengthwise A _{sl} (mm)	
4.35	Turning radius W _{tr} (mm)	
6.3	Battery according to DIN 43531/35/36 A,B,C, no	
6.4	Battery voltage/nominal capacity K5 (V)/(Ah)	
6.5	Battery weight ⁽⁴⁾ kg	

HYSTER		HYSTER		HYSTER		HYSTER	
R1.4E		R1.4E		R1.4E		R1.4E	
443		443		371		371	
1400		1400		1400		1400	
2716		2716		2948		2948	
1758	958	1758	958	1851	1097	1851	1097
562	3554	562	3554	694	3654	694	3654
1568	2548	1568	2548	1605	2743	1605	2743
2351		2351		2423		2423	
1205		1205		1277		1277	
617		617		545		545	
2702		2702		2741		2741	
2743		2743		2792		2792	
1672		1672		1672		1672	
C		C		C		C	
48V	420Ah	48V	465Ah	48V	560Ah	48V	620Ah
750		750		939		950	

STANDARD EQUIPMENT AND OPTIONS

CONSTRUCTION
Standard construction
b1 = 1125mm, b2 = 1125mm, b4 = 900mm frame
b1 = 1265mm, b2 = 1265mm, b4 = 900mm frame
Key switch start
Operator password start
PERFORMANCE
2175mm Overhead Guard
2175mm Drive In Racking Overhead Guard (Narrows at 1400mm)
2175mm Drive In Racking Overhead Guard (Narrows at 1700mm)
Polycarbonate (lexan) protection on overhead guard
Metal grid protection on overhead guard
Operator shield transparent (Lexan)
Standard display
AccuTouch™ mini levers mounted on adjustable length armrest
4 function hydraulics

R1.0E	R1.2E	R1.4E
x	x	x
x	x	-
-	-	x
x	x	x
o	o	o
R1.0E	R1.2E	R1.4E
x	x	x
o	o	o
o	o	o
x	x	x
x	x	x
x	x	x
x	x	x
x	x	x

STANDARD EQUIPMENT AND OPTIONS

PERFORMANCE (CONTINUED)
Joystick mounted on adjustable length armrest
Simultaneous hydraulic operation for lift and reach
Rocker switch directional control
Full suspension seat
Cloth seat cover
SKAI seat cover
Low backrest seat
Seat head rest
Seat heating
Antistatic seat (cloth version only)
180° steering
360° steering
Driver select steering mode 180/360° (push button)
VISIBILITY
Panoramic mirror
Amber strobe light
One front LED work light
2 rear LED work lights
DRIVE
Travel speed 11 km/h
305 x 140 mm vulkollan drive wheel
305 x 140 mm conductive drive wheel
305 x 140 mm wet grip drive wheel
220 x 85 mm vulkollan load wheels
220 x 85 mm conductive load wheels
220 x 85 mm wet grip load wheels
285 x 100 mm vulkollan load wheels
285 x 100 mm conductive load wheels
285 x 100 mm wet grip load wheels
Creep speed button
LIFT
3 stage mast
700 mm FEM 2A carriage
Various sizes forks
Without load backrest
1000 mm high load backrest
HANDLING
Universal support bar
Beverage holder and document tray
A4 clipboard
Stretch film roll holder
Side load wheel protection
24V DC/DC Converter
24-12V DC Converter
Audible forward alarm (forks trailing)
Audible reverse alarm (forks leading)
Audible forward and reverse alarm
Hyster Tracker wireless asset management - Access
Hyster Tracker wireless asset management - Monitoring
Hyster Tracker wireless asset management - Verification
BATTERIES
1035 x 263 x 784 mm battery compartment (for 280/310 Ah DIN B Battery)
1035 x 353 x 784mm battery compartment (for 420/465 Ah DIN B Battery)
1035 x 443 x 784mm battery compartment (for 560/620 Ah DIN B Battery)
1223 x 283 x 784mm battery compartment (for 420/465 Ah DIN C Battery)
1223 x 355 x 784mm battery compartment (for 560/620 Ah DIN C Battery)
Vertical battery extraction
Side battery extraction
Twin battery change station
Extension cable
APPEARANCE
Hyster yellow paint base truck
Special paint base truck
SUPPLEMENTAL
Literature package
CE certification
Warranty: 24 Months / 4,000 Hours Parts manufacturer's warranty
Warranty: 36 Months / 6,000 Hours Parts manufacturer's warranty

R1.0E	R1.2E	R1.4E
o	o	o
x	x	x
x	x	x
x	x	x
x	x	x
o	o	o
x	x	x
o	o	o
o	o	o
o	o	o
o	o	o
o	o	o
x	x	x
o	o	o
R1.0E	R1.2E	R1.4E
o	o	o
o	o	o
o	o	o
o	o	o
R1.0E	R1.2E	R1.4E
x	x	x
x	x	x
o	o	o
o	o	o
o	o	o
x	x	x
o	o	o
R1.0E	R1.2E	R1.4E
o	o	o
o	o	o
o	o	o
o	o	o
R1.0E	R1.2E	R1.4E
x	x	-
o	o	-
o	o	-
-	-	x
-	-	o
x	x	x
o	o	o
o	o	o
o	o	o
R1.0E	R1.2E	R1.4E
x	x	x
o	o	o
R1.0E	R1.2E	R1.4E
x	x	x
x	x	x
o	o	o

Please refer to Price List for full options configuration
 Other options available through Special Products Engineering Department (SPED).
 Contact Hyster for details.

STRONG PARTNERS. TOUGH TRUCKS.™

FOR DEMANDING OPERATIONS, EVERYWHERE.

Hyster supplies a complete range of warehouse equipment, IC and electric counterbalanced trucks, container handlers and reach stackers. Hyster is committed to being much more than a lift truck supplier.

Our aim is to offer a complete partnership capable of responding to the full spectrum of material handling issues: Whether you need professional consultancy on your fleet management, fully qualified service support, or reliable parts supply, you can depend on Hyster.

Our network of highly trained dealers provides expert, responsive local support. They can offer cost-effective finance packages and introduce effectively managed maintenance programmes to ensure that you get the best possible value. Our business is dealing with your material handling needs so you can focus on the success of your business today and in the future.



HYSTER EUROPE

Centennial House, Frimley Business Park, Frimley, Surrey, GU16 7SG, England.

Tel: +44 (0) 1276 538500, Fax: +44 (0) 1276 538559



www.hyster.eu



infoeurope@hyster.com



[/HysterEurope](https://www.facebook.com/HysterEurope)




[@HysterEurope](https://twitter.com/HysterEurope)




[/HysterEurope](https://www.youtube.com/HysterEurope)

HYSTER-YALE UK LIMITED trading as Hyster Europe. Registered Address: Centennial House, Building 4.5, Frimley Business Park, Frimley, Surrey GU16 7SG, United Kingdom.

Registered in England and Wales. Company Registration Number: 02636775.

HYSTER,  and FORTENS are registered trademarks in the European Union and certain other jurisdictions.

MONOTROL® is a registered trademark, and DURAMATCH and  are trademarks in the United States and in certain other jurisdictions.

Hyster products are subject to change without notice. Lift trucks illustrated may feature optional equipment.